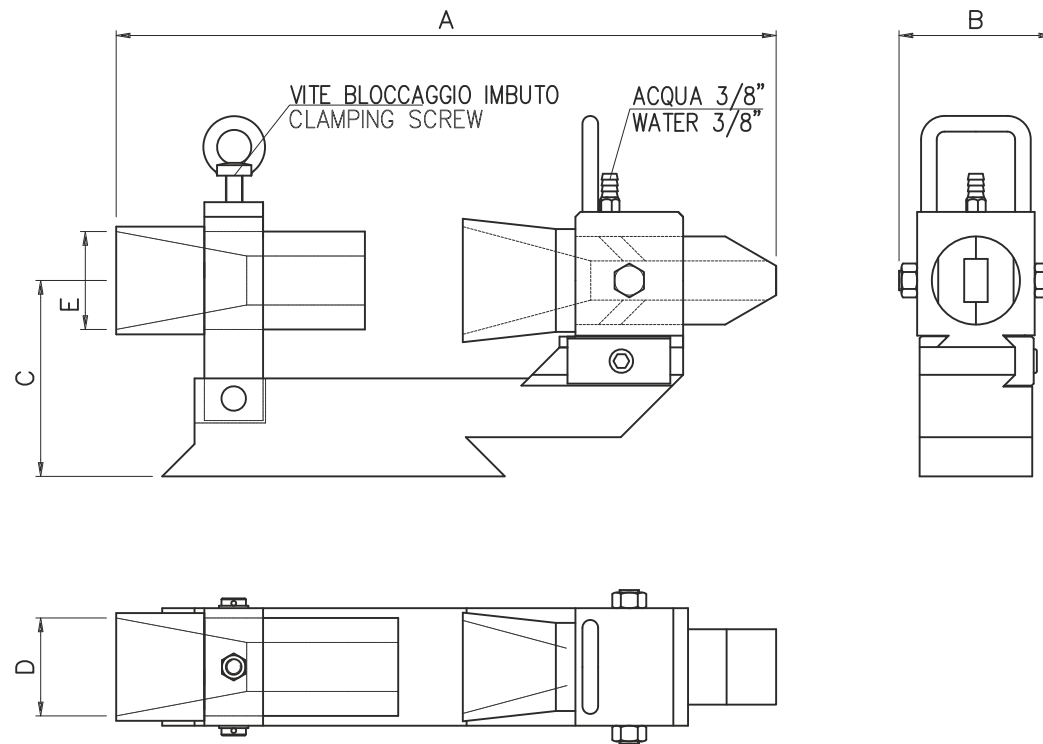


Guide tipo DLE con imbuto

Guides type DLE with funnel

Sgancio rapido del supporto imbuto
Funnel support quick release



TYPE	A		B	C MIN	D	E
	MIN	MAX				
DLE 260	450	700	129	150	80	80
DLE 320	600	800	157	170	100	100
DLE 350	750	1100	194	200	200	200
DLE 380	620	1100	296	210	200	200