

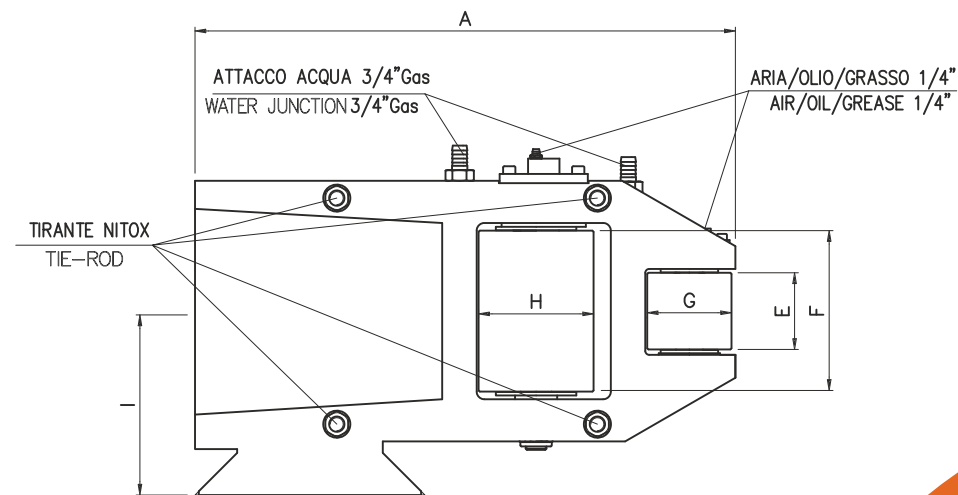
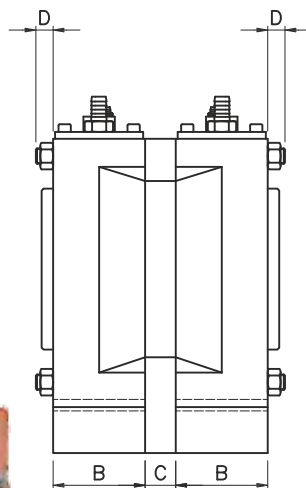
Guide in entrata a quattro rulli tipo CRE

Four rollers entry guides type CRE

Optional:
Trattamento speciale anti-ossidante
Anti-oxidant special treatment



Trattamento termico dei rulli
Heat treatment of rollers



TYPE	A	B	C	D	E	F	G		H		I
							MIN	MAX	MIN	MAX	MIN
CRE 75-170	473	120	VARIES WITH PRODUCT RANGE	30	75	170	90	105	130	145	205
CRE 100-210	605	120		30	100	210	90	110	130	150	220
CRE 150-270	705	120		30	150	270	90	110	130	150	260