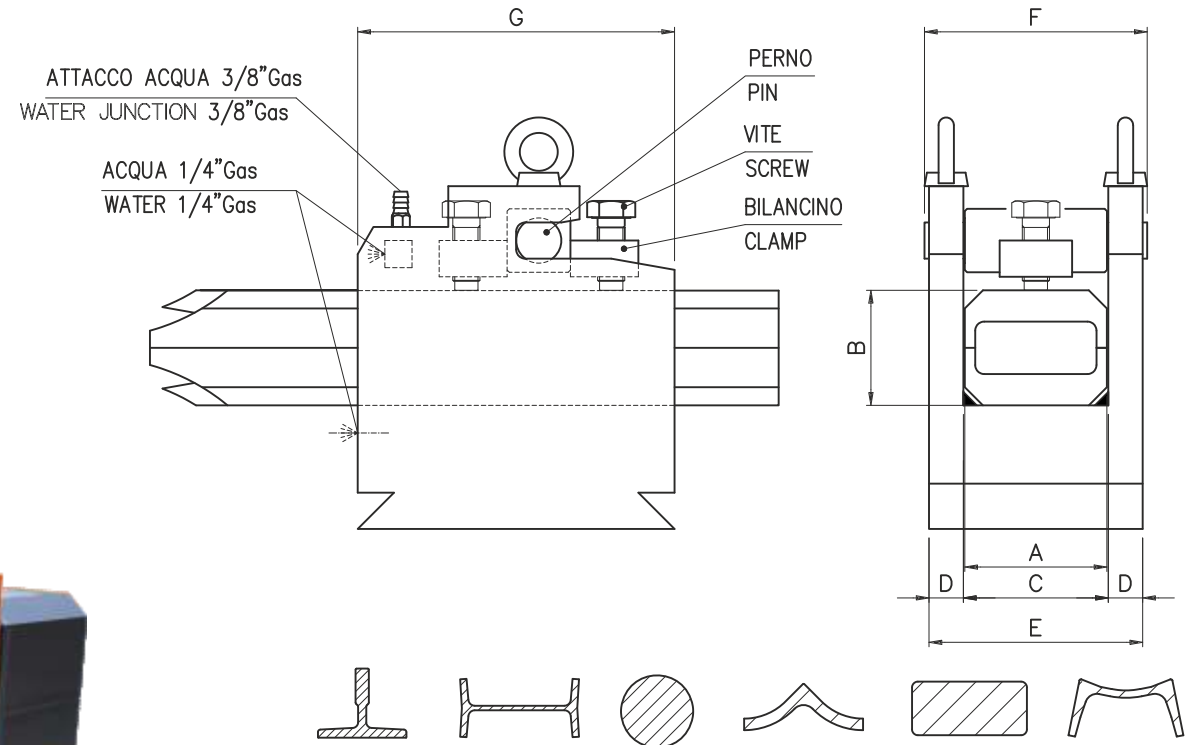


# Guide statiche in uscita tipo DLU/A con lame in ghisa

## Static exit guides type DLU/A with cast iron blades

Sgancio rapido del supporto imbuto  
Funnel support quick release



TYPE	A	B	C	D	E	F	G	Screw
DLU 380/A	88	100	85	23.5	138	160	160	M20
DLU 380/1/A	108	100	105	23.5	158	177	160	M20
DLU 400/A	132	136	135	28	191	205	280	M30
DLU 450/A	177	136	180	28	236	250	280	M30
DLU 550/A	187	170	190	38	266	280	350	M30