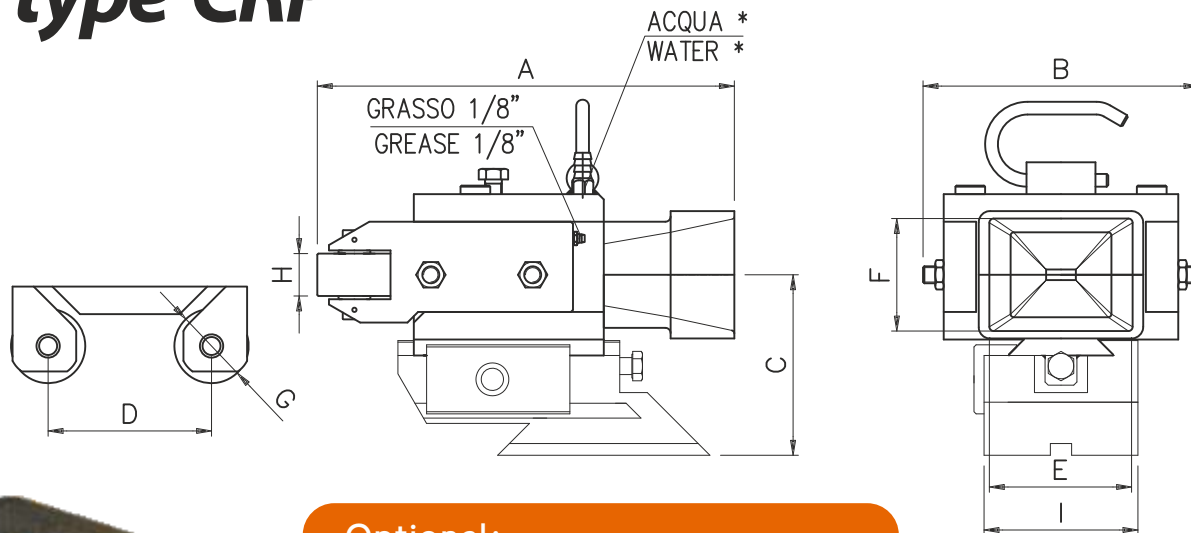


# Guide in entrata a due rulli tipo CRP

## Two rollers entry guides type CRP



**Optional:**  
 Trattamento speciale anti-ossidante  
 Anti-oxidant special treatment

\* Per Guide CRP 16/25 acqua da 1/4"gas,  
 per CRP 40/41/150/250 acqua 3/8"gas  
 \* For guides CRP 16/25 water 1/4"gas,  
 for guides CRP 40/41/150/250 water 3/8"gas

TYPE	A	B	C MIN	D		E	F	G		H	I	Max Recommended Flat Size
				MIN	MAX			MIN	MAX			
CRP 16	300	178	112	73	110	80	52	50	60	25	117	20 x 12
CRP 25	350	247	161	95	140	95	85	60	75	40	148	40 x 18
CRP 40	393	260	180	124	173	135	106	60	75	40	170	55 x 25
CRP 41	473	272	190	164	216	190	195	75	85	69	194	90 x 25
CRP 150	593	420	240	219	274	235	235	90	120	124	380	140 x 30
CRP 250	601	670	230	269	356	530	350	90	120	134	550	230 x 120

Trattamento termico dei rulli  
 Heat treatment of rollers