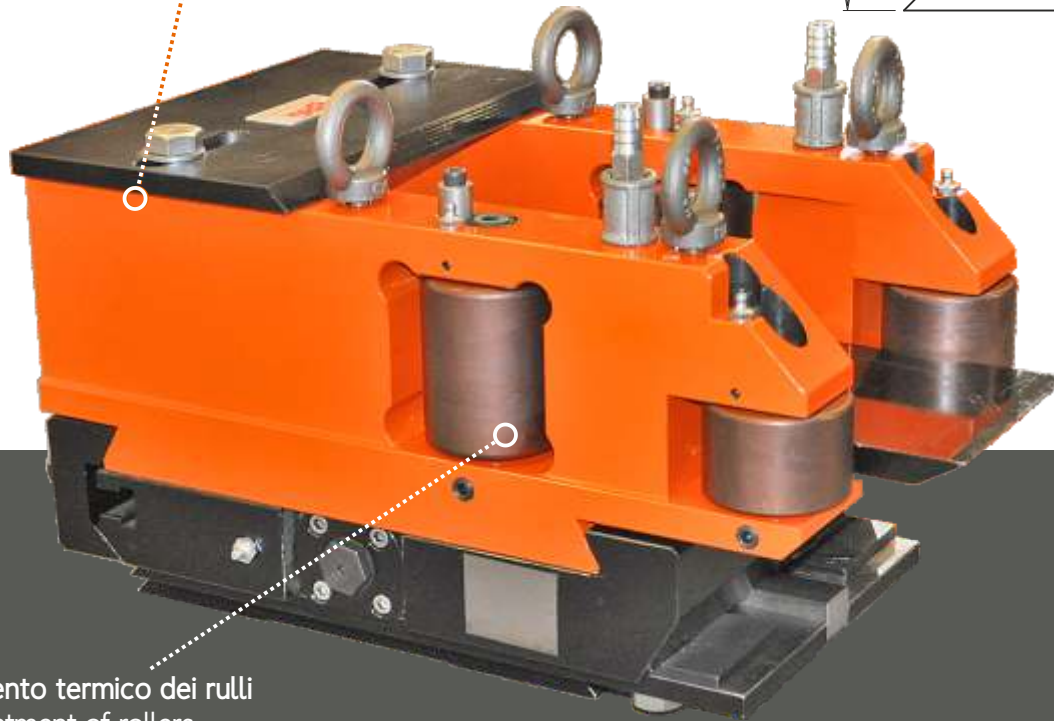
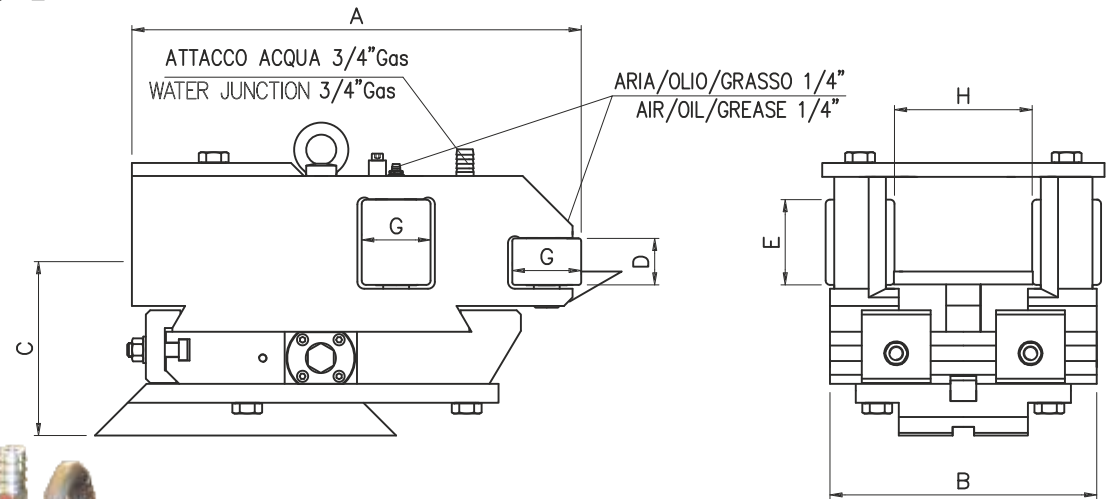


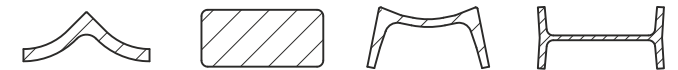
Guide in entrata a quattro rulli tipo CRE

Four rollers entry guides type CRE

Optional:
Trattamento speciale anti-ossidante
Anti-oxidant special treatment



Trattamento termico dei rulli
Heat treatment of rollers



Guide con movimento centralizzato o indipendente dei bracci
Guides with centralized or independent movement for arms

TYPE	A	B	C	D	E	G		H	
						MIN	MAX	MIN	MAX
CRE 4/4	460	VARIES WITH PRODUCT RANGE	210	84	119	105	120	120	350
CRE 4/4A	510		180	67	98	70	85	70	200
CRE 35	270		170	39	74	60	72	30	70
CRE 45	320		170	54	99	70	80	40	150
CRE 50	520		210	54	99	75	90	40	170
CRE 130	510		230	130	130	105	120	120	350